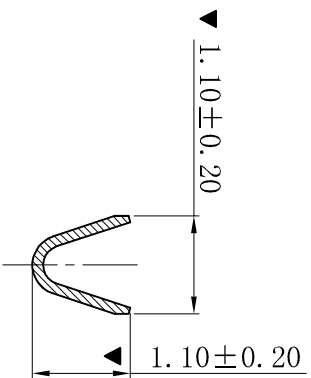
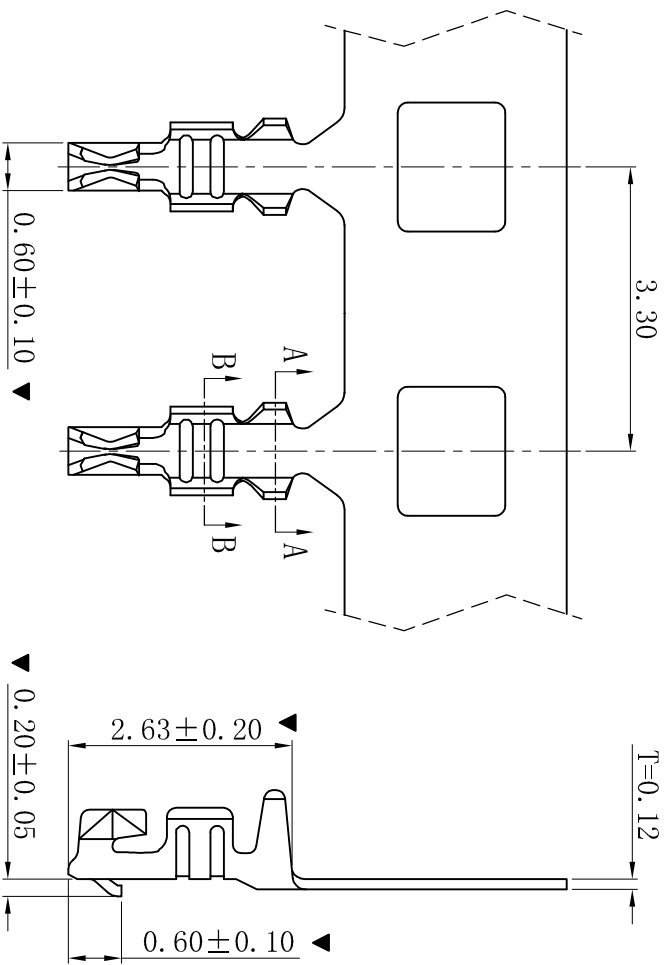
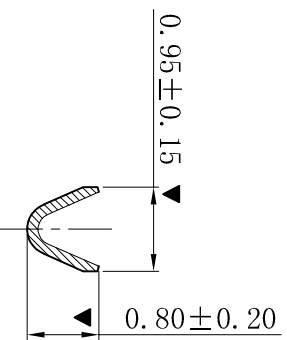


RoHS

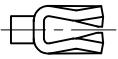


SECTION: A-A



SECTION: B-B

- SPECIFICATIONS
- Voltage rating: 125V AC, DC
 - Current rating: 1A, AC, DC
 - Withstanding Voltage: 250V AC/minute
 - Insulation resistance: 100MΩ min
 - Temperature range: -25° C~+85° C
 - Contact resistance: 40mΩ max
- TERMINAL
- Part No.: T0800PT
 - Applicable wire: AWG#32
 - Material: Phosphor Bronze
 - Finish: Tin-Plated
 - The Dimension Marked “▼” Must Be Recorded



| | | | | |
|------|-------------|------------|--------|----|
| D | 更新图面 | 2019-06-03 | 陈雄军 | 承认 |
| C | 修订版本 | 2015-11-04 | 陈雄军 | |
| B | 变更图宽格式内容 | 2013-12-27 | 陈雄军 | |
| A | 新版本 | 2011-05-24 | 陈雄军 | |
| 版次 | 说明 | 日期 | 承认 | |
| REV. | DESCRIPTION | DATE | APPRO. | |

| | |
|--------------------|------------|
| 一般公差 | 0±0.30 |
| GENERAL TOLERANCE: | .0±0.25 |
| | .00±0.20 |
| | .000±0.05 |
| ANGLE: ±1° | |
| 绘图/DR | 陈雄军 |
| 审核/CHECK | 胡进 |
| 批准/APPRO | 胡进 |
| 日期/DATE | 2019-06-03 |

| | |
|--|----------------------------------|
| <p>XYDZ® 东莞市祥运连接器有限公司</p> <p>Dongguan XiangYun Connectors CO., Ltd</p> | |
| 投影法 Projection | 第一角投影 |
| 单位 Unit | MM |
| 比例/Scale | 1:1 |
| 大小/Size | A4 |
| 页码/Sheet | 1/1 |
| 版本/Rev | D |
| 品名 (PART NAME) | 0.80mm Terminal Connector Series |
| 料号 (PART NO) | T0800PT |
| 状态码 | C |